

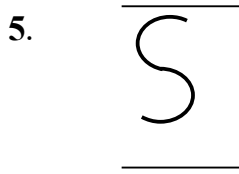
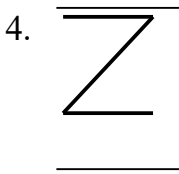
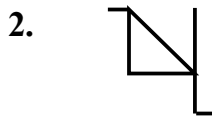
Std: 3

Time: 1 hour

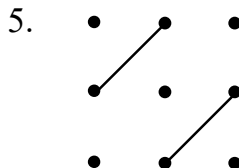
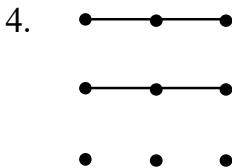
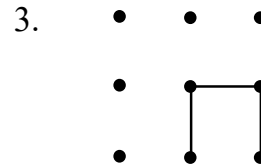
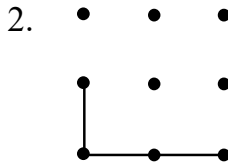
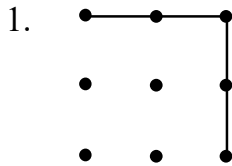
\*L.O.( Learning Outcome)

L.O. Creates and identifies two dimensional shapes (2D) using straight lines, cutting paper from short lines, folding paper etc.

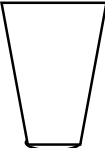
**Q. 1 The shapes are drawn below. Write 'Yes' for the shapes where straight line is used and 'No' where straight line is not used. [5]**



**Q. 2 Complete the below given figures to make square and rectangle. [5]**




**Q. 3 Tick (✓) for the correct option. [5]**

1.  From where you have to look to see the 'glass' in the following way?


(glass)

- (a) Front view      (b) Top view      (c) Bottom view      (d) None


2.  From where you have to look to see the 'brick' in the following way?

(brick)


- (a) Front view      (b) Top view      (c) Side view      (d) None

3.  From where you have to look to see the 'chair' in the following way?  
(chair)

- (a) Front view    (b) Top view    (c) Bottom view    (d) None

4.  From where you have to look to see the 'Pencil' in the following way?  
(pencil)

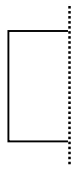
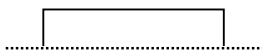
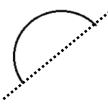
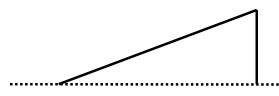

- (a) Side view    (b) Front view    (c) Bottom view    (d) Top view

5.  From where you have to look to see the 'Bus' in the following way?  
(bus)

- (a) Bottom view    (b) Top view    (c) Side view    (d) Front view





**Q. 4 Draw the mirror half of the following shapes.**

[5]

1.       2.       3. 
4.       5. 

**Q. 5 Draw the mirror half of the following letters.**

[5]

1.       2.       3. 
4.       5. 